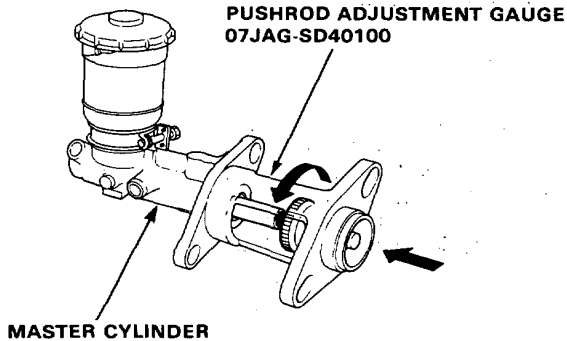




## Pushrod Clearance Adjustment

**NOTE:** Master cylinder pushrod-to-piston clearance must be checked and adjustments made, if necessary, before installing master cylinder.

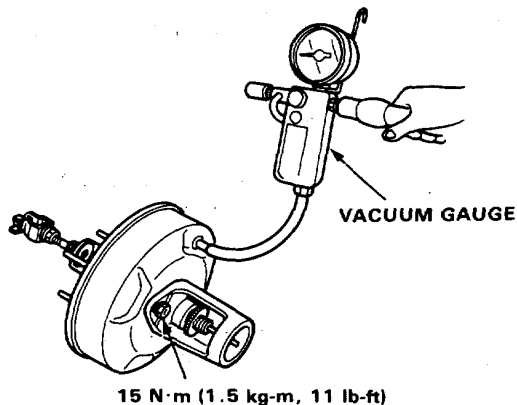
1. Using the Pushrod Adjustment Gauge, adjust bolt so the top of it is flush with end of master cylinder piston.



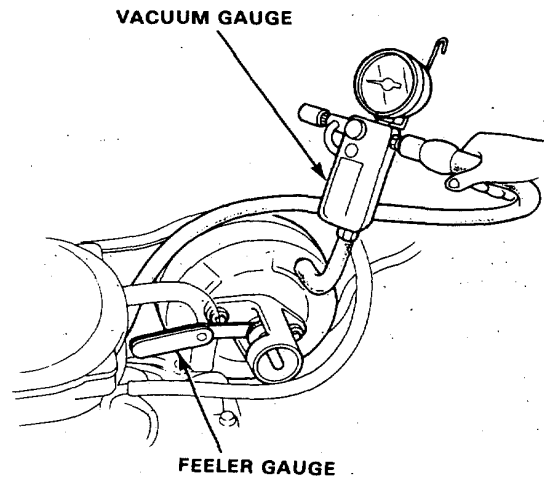
2. Install the master cylinder rod seal between the pushrod adjustment gauge and brake booster.
3. Without disturbing the adjusting bolt's position, put the gauge upside down on the booster.
4. Install the master cylinder nuts and tighten to the specified torque.
5. Connect the booster in-line with a vacuum gauge to the booster's apply a 500 mm Hg (20 in Hg) vacuum and hold.
6. With a feeler gauge, measure the clearance between the gauge body and the adjusting nut.

**CLEARANCE:** 0–0.4 mm (0–0.016 in)

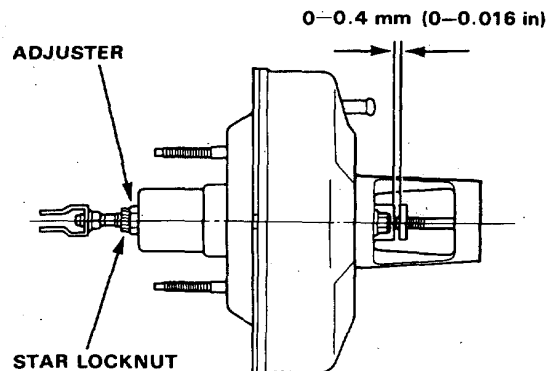
- Inspection with the booster not installed



- Inspection with the booster attached to the car



7. If clearance is incorrect, loosen the star locknut and turn the adjuster in or out to adjust. Hold the clevis while adjusting.
8. Tighten the star locknut securely.



**NOTE:** If the clearance between the gauge body and adjusting nut is 0 mm, the pushrod-to-piston clearance is 0.4 mm. If the clearance between the gauge body and adjusting nut is 0.4 mm, the pushrod-to-piston clearance is 0 mm.

9. Adjust the pedal height and brake light switch (page 13-4).