

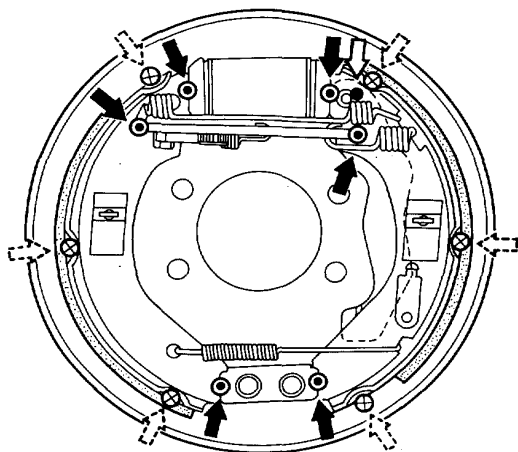



## Reassembly

NOTE: Before reassembling, check that all parts are clean.

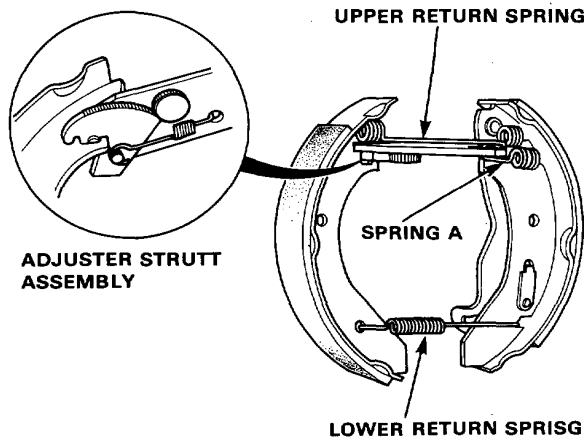
1. Install the adjuster strutt assembly, then upper return spring and spring A in the brake shoes.
2. Connect the parking cable to the parking brake lever.
3. Apply grease on each sliding surface.

**CAUTION:** Contaminated the brake linings reduce stopping power. Keep grease or oil off the brake linings. Wipe any excess grease off the parts.



**Greasing Tymbols:**  

 Brake shoe ends  
 Opposite the edge of the shoe  
 Sliding surface

4. Install the brake shoe assembly, then hook the lower return spring.
5. Install the tension pins and retaining springs.



6. Install the brake drum.
7. If the wheel cylinder has been removed, bleed the brake system (page 13-10).
8. Depress the brake pedal several times to set the self adjusting brake.
9. Adjust the parking brake (page 13-4).