

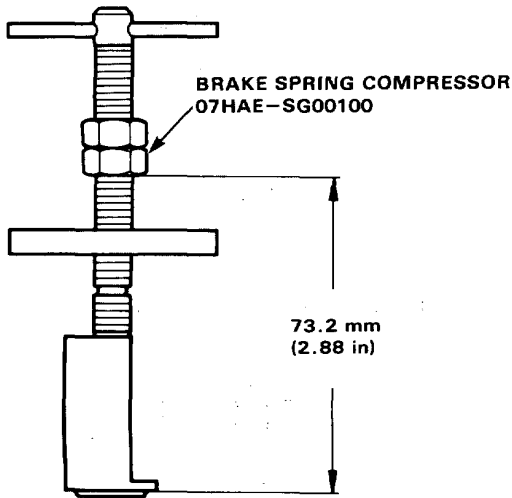


Reassembly

CAUTION:

- Make sure all parts are clean before reassembly.
- Use only new replacement parts.
- Use only new clean DOT3 or DOT4 brake fluid.
- Do not allow dirt or other foreign matter to contaminate the brake fluid.
- Do not mix different brands of brake fluid.
- Avoid *spilling* brake fluid on painted, plastic or rubber surfaces as it can damage the finish. Wash spilled brake fluid off immediately with clean water.

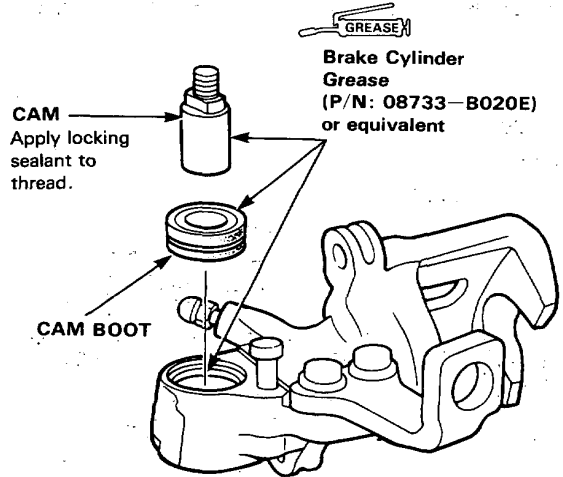
1. Adjust the brake spring compressor (special tool) as shown.



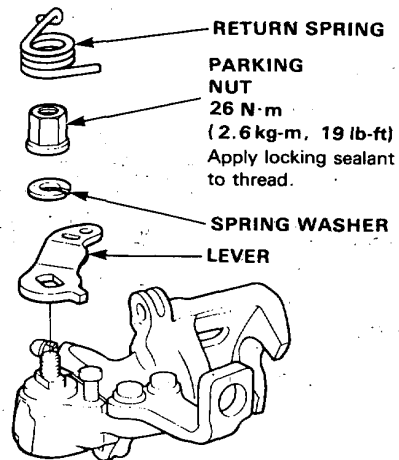
2. Pack all cavities of the needle bearing with Brake Cylinder Grease (P/N: 08733-B020E), or equivalent rubber grease.
3. Coat the new cam boot with Brake Cylinder Grease (P/N: 08733-B020E), or equivalent rubber grease and install in the caliper.

4. Install the cam with threaded end facing up.

CAUTION: Avoid damaging the cam boot since it must be installed before the cam.



5. Install the lever and spring washer. And then tighten the parking nut after applying locking sealant to thread.
6. Install the return spring.

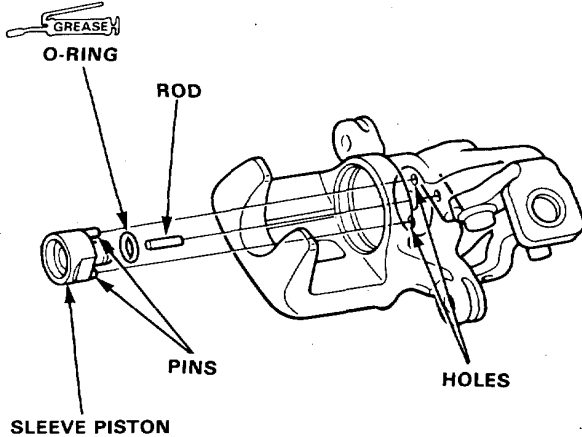


(cont'd)

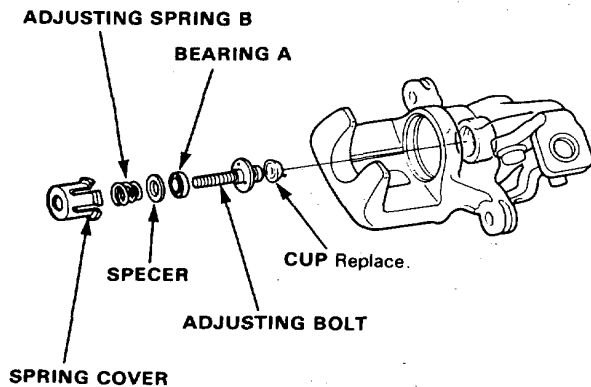
Rear Caliper

Reassembly (cont'd)

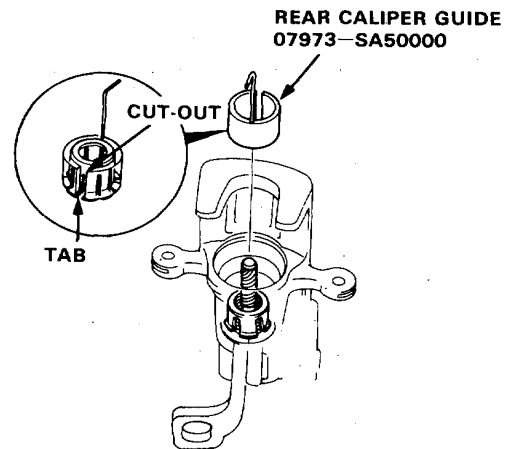
7. Install the rod in the cam.
8. Install a new O-ring on the sleeve piston.
9. Install the sleeve piston so the hole in the bottom of the piston is aligned with the rod in the cam, and two pins on the piston are aligned with the holes in the caliper.



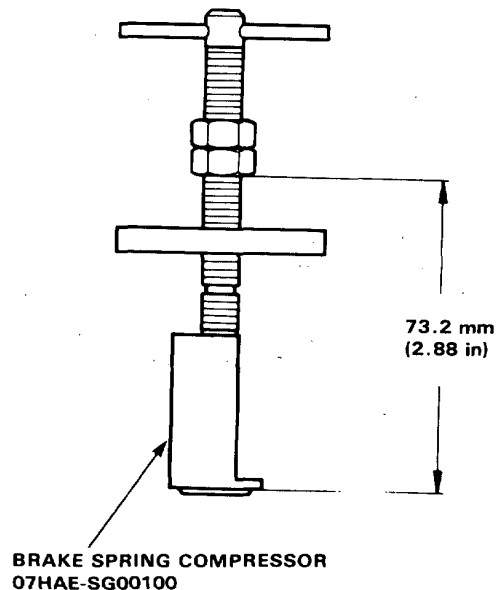
10. Install a new cup with its groove facing the bearing A side on the adjusting bolt.
11. Fit the bearing A, spacer, adjusting spring B and spring cover on the adjusting bolt, and install in the caliper cylinder.



12. Install the rear caliper guide in the cylinder, aligning the cutout on the tool with the tab on the spring cover.



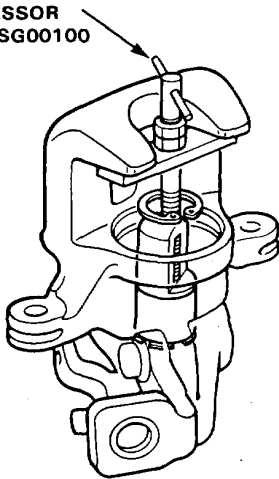
13. Adjust the special tool as shown.





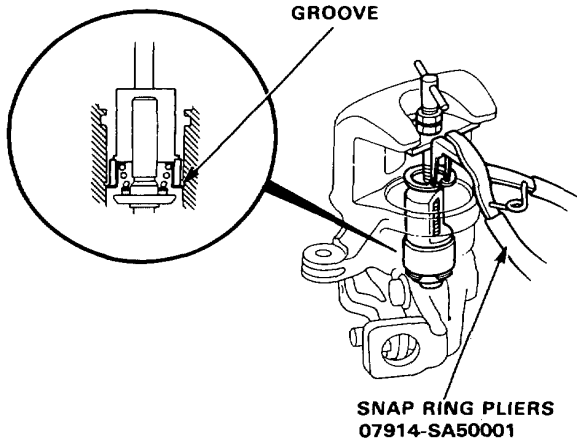
14. Install the brake spring compressor (special tool) as shown.

**BRAKE SPRING COMPRESSOR
07HAE-SG00100**

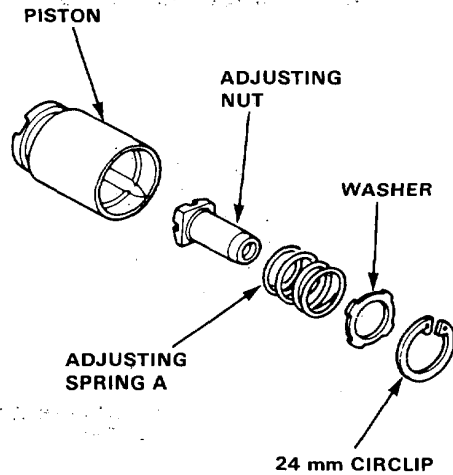


15. Compress the spring until it bottoms out.
16. Check that the flared end of the spring cover is below the circlip groove.
17. Install the circlip then remove the brake spring compressor.

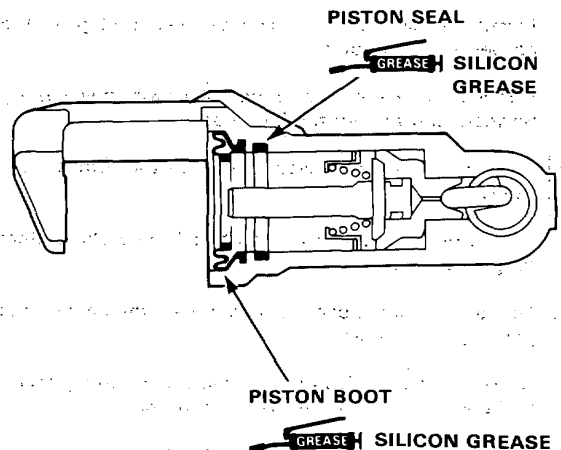
NOTE: Check that the circlip is seated in the groove properly.



18. Install the adjusting nut, adjusting spring A, and washer, and secure with the circlip.



19. Coat the new piston seal and piston boot with silicone grease and install them in the caliper.



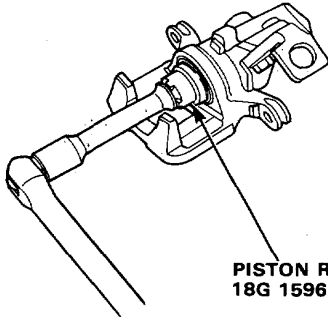
(cont'd)

Rear Caliper

Reassembly (cont'd)

20. Coat the outside of the piston with silicone grease, and install it on the adjusting bolt while rotating it clockwise.

CAUTION: Avoid damaging the piston boot.



**PISTON RETRACTOR
18G 1596**

21. Install the brake pad retainers and brake pads.
22. Install the pad spring on the caliper.
23. Install the caliper on the caliper bracket and tighten the caliper mounting bolts.
24. Connect the brake hose to the caliper with new sealing washers and tighten the banjo bolt.
25. Connect the parking brake cable to the arm on the caliper.
26. Fill the brake reservoir up and bleed the brake system (page 13-10).
27. Operate the brake pedal several times, then adjust the parking brake lever.

NOTE: Before adjustments, make sure the parking brake arm on the caliper touches the pin.

28. Install the caliper shield and tighten the bolts.